

INSTRUCTIVO DE OPERACIÓN, CENTROS DE SERVICIO Y PÓLIZA DE GARANTÍA. ADVERTENCIA: LEASE ESTE INSTRUCTIVO ANTES DE USAR EL PRODUCTO.

INSTRUCTION MANUAL
GUIDE D'UTILISATION
MANUAL DE INSTRUCCIONES

DEWALT®

DW303, DW303M, DW304P

VS Reciprocating Saw

Scies alternatives à régulateur de vitesse
Sierra reciprocante VV

DEWALT Industrial Tool Co., 701 East Joppa Road, Baltimore, MD 21286
(FEB04-CD-1) Form No. 616357-00 DW303M Copyright © 2004

The following are trademarks for one or more DEWALT power tools: the yellow and black color scheme; the "D" shaped air intake grill; the array of pyramids on the handgrip; the kit box configuration; and the array of lozenge-shaped humps on the surface of the tool.

IF YOU HAVE ANY QUESTIONS OR COMMENTS ABOUT THIS OR ANY DEWALT TOOL, CALL US TOLL FREE AT 1-800-4-DEWALT (1-800-433-9258).

General Safety Instructions



WARNING! Read and understand all instructions. Failure to follow all instructions listed below, may result in electric shock, fire and/or serious personal injury.

SAVE THESE INSTRUCTIONS

WORK AREA

- **Keep your work area clean and well lit.** Cluttered benches and dark areas invite accidents.
- **Do not operate power tools in explosive atmospheres, such as in the presence of flammable liquids, gases, or dust.** Power tools create sparks which may ignite the dust or fumes.
- **Keep bystanders, children, and visitors away while operating a power tool.** Distractions can cause you to lose control.

ELECTRICAL SAFETY

- **Grounded tools must be plugged into an outlet properly installed and grounded in accordance with all codes and ordinances. Never remove the grounding prong or modify the plug in any way. Do not use any adaptor plugs. Check with a qualified electrician if you are in doubt as to whether the outlet is properly grounded.** If the tools should electrically malfunction or break down, grounding provides a low resistance path to carry electricity away from the user. **Applicable only to Class I (grounded) tools**
- **Double insulated tools are equipped with a polarized plug (one blade is wider than the other.) This plug will fit in a polarized outlet only one way. If the plug does not fit fully in the outlet, reverse the plug. If it still does not fit, contact a qualified electrician to install a polarized outlet. Do not change the plug in any way. Double insulation □ eliminates the need for the three wire grounded power cord and grounded power supply system. Applicable only to Class II (double insulated) tools.**
- **Avoid body contact with grounded surfaces such as pipes, radiators, ranges and refrigerators.** There is an increased risk of electric shock if your body is grounded.
- **Don't expose power tools to rain or wet conditions.** Water entering a power tool will increase the risk of electric shock.
- **Do not abuse the cord. Never use the cord to carry the tools or pull the plug from an outlet. Keep cord away from heat, oil, sharp edges or moving parts. Replace damaged cords immediately.** Damaged cords increase the risk of electric shock.
- **When operating a power tool outside, use an outdoor extension cord marked "W-A" or "W."** These cords are rated for outdoor use and reduce the risk of electric shock.

Recommended Minimum Wire Size for Extension Cords

Total Length of Cord						
25 ft.	50 ft.	75 ft.	100 ft.	125 ft.	150 ft.	175 ft.
7.6 m	15.2 m	22.9 m	30.5 m	38.1 m	45.7 m	53.3 m
Wire Size						
18 AWG	18 AWG	16 AWG	16 AWG	14 AWG	14 AWG	12 AWG

PERSONAL SAFETY

- **Stay alert, watch what you are doing and use common sense when operating a power tool. Do not use tool while tired or under the influence of drugs, alcohol, or medication.** A moment of inattention while operating power tools may result in serious personal injury.
- **Dress properly. Do not wear loose clothing or jewelry. Contain long hair. Keep your hair, clothing, and gloves away from moving parts.** Loose clothes, jewelry, or long hair can be caught in moving parts. Air vents often cover moving parts and should also be avoided.
- **Avoid accidental starting. Be sure switch is off before plugging in.** Carrying tools with your finger on the switch or plugging in tools that have the switch on invites accidents.
- **Remove adjusting keys or wrenches before turning the tool on.** A wrench or a key that is left attached to a rotating part of the tool may result in personal injury.

- **Do not overreach. Keep proper footing and balance at all times.** Proper footing and balance enables better control of the tool in unexpected situations.
- **Use safety equipment. Always wear eye protection.** Dust mask, non-skid safety shoes, hard hat, or hearing protection must be used for appropriate conditions.

TOOL USE AND CARE

- **Use clamps or other practical way to secure and support the workpiece to a stable platform.** Holding the work by hand or against your body is unstable and may lead to loss of control.
- **Do not force tool. Use the correct tool for your application.** The correct tool will do the job better and safer at the rate for which it is designed.
- **Do not use tool if switch does not turn it on or off.** Any tool that cannot be controlled with the switch is dangerous and must be repaired.
- **Disconnect the plug from the power source before making any adjustments, changing accessories, or storing the tool.** Such preventative safety measures reduce the risk of starting the tool accidentally.
- **Store idle tools out of reach of children and other untrained persons.** Tools are dangerous in the hands of untrained users.
- **Maintain tools with care. Keep cutting tools sharp and clean.** Properly maintained tools, with sharp cutting edges are less likely to bind and are easier to control.
- **Check for misalignment or binding of moving parts, breakage of parts, and any other condition that may affect the tools operation. If damaged, have the tool serviced before using.** Many accidents are caused by poorly maintained tools.
- **Use only accessories that are recommended by the manufacturer for your model.** Accessories that may be suitable for one tool, may become hazardous when used on another tool.

SERVICE

- **Tool service must be performed only by qualified repair personnel.** Service or maintenance performed by unqualified personnel could result in a risk of injury.
- **When servicing a tool, use only identical replacement parts. Follow instructions in the Maintenance section of this manual.** Use of unauthorized parts or failure to follow Maintenance Instructions may create a risk of electric shock or injury.

Additional Specific Safety Rules

- **Hold tool by insulated gripping surfaces when performing an operation where the cutting tool may contact hidden wiring or its own cord.** Contact with a "live" wire will make exposed metal parts of the tool "live" and shock the operator.
- **Do not operate this tool for long periods of time.** Vibration caused by the operating action of this tool may cause permanent injury to fingers, hands, and arms. Use gloves to provide extra cushion, take frequent rest periods, and limit daily time of use.

CAUTION: Wear appropriate personal hearing protection during use. Under some conditions and duration of use, noise from this product may contribute to hearing loss.

WARNING: Some dust created by power sanding, sawing, grinding, drilling, and other construction activities contains chemicals known to cause cancer, birth defects or other reproductive harm. Some examples of these chemicals are:

- lead from lead-based paints,
- crystalline silica from bricks and cement and other masonry products, and
- arsenic and chromium from chemically-treated lumber (CCA).

Your risk from these exposures varies, depending on how often you do this type of work. To reduce your exposure to these chemicals: work in a well ventilated area, and work with approved safety equipment, such as those dust masks that are specially designed to filter out microscopic particles.

- **Avoid prolonged contact with dust from power sanding, sawing, grinding, drilling, and other construction activities. Wear protective clothing and wash exposed areas with soap and water.** Allowing dust to get into your mouth, eyes, or lay on the skin may promote absorption of harmful chemicals.

WARNING: Use of this tool can generate and/or disburse dust, which may cause serious and permanent respiratory or other injury. Always use NIOSH/OSHA approved respiratory protection appropriate for the dust exposure. Direct particles away from face and body.

- The label on your tool may include the following symbols.

V	volts	A.....	amperes
Hz	hertz	W	watts
min.....	minutes	~	alternating current
====	direct current	n _o	no load speed
□	Class II Construction	⊕	earthing terminal
▲	safety alert symbol	.../min.....	revolutions per minute

Switch (Variable Speed) (Fig. 1)

The variable speed trigger switch (A) will give you added versatility. The further the trigger is depressed the higher the speed of the saw. To turn the tool "OFF" release the trigger.

CAUTION: Use of very slow speed is recommended only for beginning a cut. Prolonged use at very slow speed may damage your saw.

Blade Clamping DW303 (Fig. 2)

CAUTION: TURN OFF AND UNPLUG SAW.

To install blade into saw:

1. Loosen set screw(B).
2. Insert blade shank (C) from the front between the reciprocating shaft (D) and the blade clamp(E). Locate hole in blade (F) over pin (G) on reciprocating shaft.
3. Tighten set screw. If the blade should break off and the shank does not come out of the clamp, be sure the set screw is loose and eject the shank with a nail or pointed object.

CAUTION: THE BLADE GUARD IS THERE FOR YOUR SAFETY. DO NOT REMOVE IT.

Blade Clamp Release Lever DW303M and DW304P (Fig. 3)

CAUTION: TURN OFF AND UNPLUG SAW.

To install blade into saw:

1. Pull blade clamp release lever (H) up.
2. Insert blade shank from the front.
3. Push blade clamp release lever down.

To remove blade from saw:

1. Open blade clamp release lever.
2. Remove blade.

CAUTION: THE BLADE GUARD IS THERE FOR YOUR SAFETY. DO NOT REMOVE IT.

Cutting with Blade in Horizontal Position DW304P Only (Fig. 4A)

Installing a blade in the horizontal orientation allows cutting close to floors, walls or ceilings where limited clearance is available. Ensure that the Blade Guard is pressed against the framing to avoid kickback.

Flush-To Cutting (Fig. 5)

The compact design of the saw motor housing and spindle housing permits extremely close cutting to floors, corners and other difficult areas.

CAUTION: When sawing into walls, floors or wherever "live" electrical wires may be encountered, **DO NOT TOUCH ANY FRONT METAL PARTS OF THE TOOL!** Hold the tool only by the plastic handle and housing to prevent electric shock if you saw into a "live" wire.

CAUTION: Always wear eye protection while operating this power tool.

Wood Cutting (Fig. 6)

Before cutting any type of wood, be sure it is firmly anchored or clamped to prevent slipping. Place blade lightly against work to be cut, switch on saw motor and allow it to obtain maximum speed before applying pressure. Always hold saw firmly with both hands while cutting. Whenever possible, the saw shoe must be held firmly against the material being cut. This will prevent the saw from jumping or vibrating and minimize blade breakage.

Metal Cutting (Fig. 7)

This unit has different metal cutting capacities depending upon type of blade used and the metal to be cut. Use a finer blade for ferrous metals and a coarse blade for non-ferrous materials. In thin gauge sheet metals it is best to clamp wood to both sides of sheet. This will insure a clean cut without excess vibration or tearing of metal. Always remember not to force cutting blade as this reduces blade life and causes costly blade breakage.

NOTE: It is generally recommended that when cutting metals you should spread a thin film of oil or other coolant along the line ahead of the saw cut for easier operation and longer blade life.

Pocket Cutting (Fig. 8) (Wood Only)

The initial step in pocket cutting is to measure the surface area to be cut and mark clearly with a pencil, chalk or scribe. Insert pocket cutting blade in blade clamp and tighten blade clamp securely. Next, tip the saw backward until the back edge of the shoe is resting on the work surface. Now switch motor on, always permitting blade to attain maximum speed. Grip handle steadily and begin a slow, deliberate upward swing with the handle of the saw. Blade will begin to feed into material. Always be sure blade is completely through material before continuing with pocket cut.

NOTE: In areas where blade visibility is limited, use the edge of the saw shoe as a guide. Lines for any given cut should be extended beyond edge of cut to be made.

MAINTENANCE

Lubrication

Your tool was properly lubricated before leaving the factory. In from two to six months, depending upon use, take or send your tool to a Service Center, or authorized service station, for a complete cleaning, inspection and lubrication. Tools used constantly on production jobs will need relubrication more often. Also, tools "out of service" for long periods should be relubricated before being put back to work.

Accessories

Recommended accessories for use with your tool are available at extra cost from your local service center.

CAUTION: The use of any non-recommended accessory may be hazardous.

If you need assistance in locating any accessory, please contact DEWALT Industrial Tool Co., 701 East Joppa Road, Baltimore, MD 21286 or call 1-800-4 DEWALT (433-9258).

Repairs

To assure product SAFETY and RELIABILITY, repairs, maintenance and adjustment (including brush inspection and replacement) should be performed by authorized service centers or other qualified service organizations, always using identical replacement parts.

Three Year Limited Warranty

DEWALT will repair, without charge, any defects due to faulty materials or workmanship for three years from the date of purchase. For warranty repair information, call 1-800-4-DEWALT. This warranty does not apply to accessories or damage caused where repairs have been made or attempted by others. This warranty gives you specific legal rights and you may have other rights which vary in certain states or provinces.

In addition to the warranty, DEWALT tools are covered by our:

1 YEAR FREE SERVICE

DEWALT will maintain the tool and replace worn parts caused by normal use, for free, any time during the first year after purchase.

90 DAY MONEY BACK GUARANTEE

If you are not completely satisfied with the performance of your DEWALT Power Tool, Laser, or Nailer for any reason, you can return it within 90 days from the date of purchase with a receipt for a full refund – no questions asked.

FREE WARNING LABEL REPLACEMENT: If your warning labels become illegible or are missing, call 1-800-4-DEWALT for a free replacement.

POUR TOUT RENSEIGNEMENT SUPPLÉMENTAIRE SUR CET OUTIL OU TOUT AUTRE OUTIL DEWALT, COMPOSER SANS FRAIS LE NUMÉRO SUIVANT.

1 800 4-DEWALT (1 800 433-9258)

Importantes mesures de sécurité



AVERTISSEMENT! Lire et comprendre toutes les directives. Le non-respect de toutes les directives suivantes présente des risques de secousses électriques, d'incendie ou de blessures graves.

CONSERVER CES MESURES

ZONE DE TRAVAIL

- **S'assurer que la zone de travail est propre et bien éclairée.** Des établis encombrés et des endroits sombres présentent des risques d'accidents.
- **Ne pas utiliser des outils électriques en présence de vapeurs explosives (comme celles dégagées par des liquides, des gaz ou des poussières inflammables).** Les étincelles générées par le moteur des outils électriques peuvent enflammer les poussières ou les vapeurs.
- **Éloigner les curieux, les enfants et les visiteurs de la zone de travail lorsqu'on utilise un outil électrique.** Une distraction peut entraîner la perte de maîtrise de l'outil.

MESURES DE SÉCURITÉ RELATIVES À L'ÉLECTRICITÉ

- **Les outils mis à la terre doivent être branchés dans une prise bien installée et mise à la terre conformément à tous les codes et règlements en vigueur.** Ne jamais retirer la broche de terre ni modifier la fiche. Ne pas utiliser d'adaptateur pour fiche. Vérifier auprès d'un électricien certifié en cas de doute quant à la mise à la terre de la prise. En cas de défaillance électrique ou de bris de l'outil, la mise à la terre procure un chemin de faible résistance au courant qui autrement traverserait l'utilisateur. **Valable seulement pour les outils de classe I (mis à la terre).**
- **Les outils à double isolation comportent une fiche polarisée (une lame plus large que l'autre). La fiche n'entre que d'une façon dans une prise polarisée.** Lorsque la fiche n'entre pas à fond dans la prise, essayer de nouveau après avoir inversé les broches de la fiche. Si la fiche n'entre toujours pas dans la prise, communiquer avec un électricien certifié afin de faire installer une prise polarisée. Ne modifier en aucune façon la fiche. La double isolation élimine le besoin d'un cordon trifilaire mis à la terre et d'un système d'alimentation mis à la terre. **Valable seulement pour les outils de classe II (à double isolation).**
- **Éviter de toucher à des surfaces mises à la terre comme des tuyaux, des radiateurs, des cuisinières et des réfrigérateurs.** Les risques de secousses électriques sont plus élevés si le corps de l'utilisateur est mis à la terre.
- **Protéger les outils électriques de la pluie ou des conditions mouillées.** Une infiltration d'eau dans l'outil augmente les risques de secousses électriques.
- **Manipuler le cordon avec soin.** Ne jamais se servir du cordon afin de transporter l'outil ni tirer sur le cordon pour débrancher l'outil. Éloigner le cordon des sources de chaleur, des flaques d'huile, des arêtes tranchantes et des pièces mobiles. Remplacer immédiatement les cordons endommagés. Les cordons endommagés augmentent les risques de secousses électriques.
- **Lorsqu'on utilise un outil électrique à l'extérieur, se servir d'un cordon de rallonge prévu pour l'extérieur, portant la mention «W-A» ou «W».** Ces cordons sont conçus pour servir à l'extérieur et minimisent les risques de secousses électriques.

Calibre minimal des cordons de rallonge

Longueur totale du cordon

25 ft.	50 ft.	75 ft.	100 ft.	125 ft.	150 ft.	175 ft.
7,6 m	15,2 m	22,9 m	30,5 m	38,1 m	45,7 m	53,3 m

Intensité

18 AWG	18 AWG	16 AWG	16 AWG	14 AWG	14 AWG	12 AWG
--------	--------	--------	--------	--------	--------	--------

SÉCURITÉ PERSONNELLE

- **Demeurer vigilant, prendre soin et faire preuve de jugement lorsqu'on utilise un outil électrique.** Ne pas s'en servir lorsqu'on est fatigué ou affaibli par des drogues, de l'alcool ou

FIG. 1

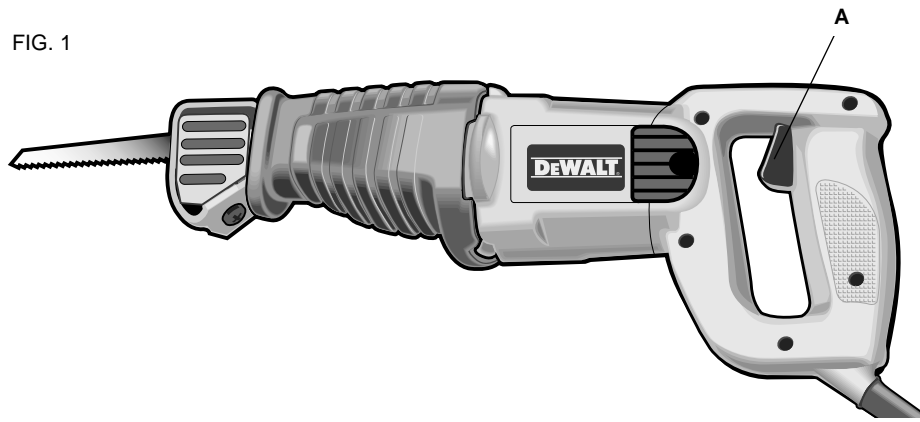


FIG. 2

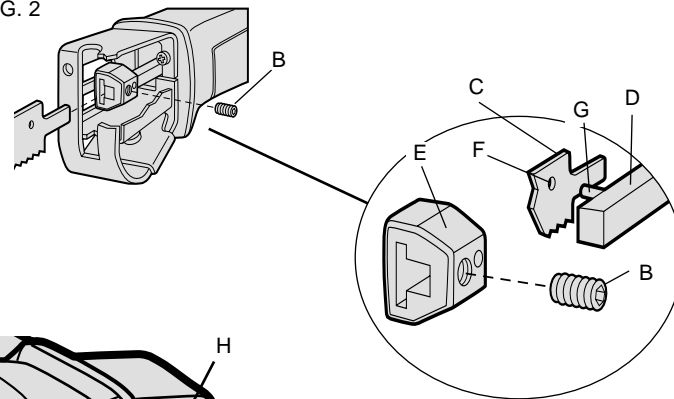


FIG. 3

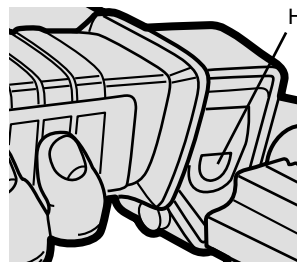


FIG. 4

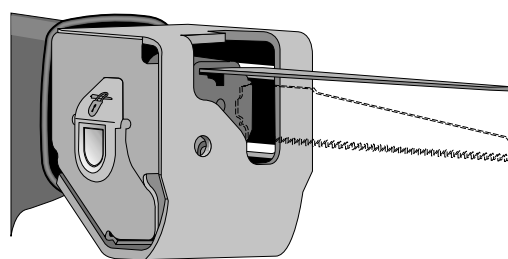


FIG. 5

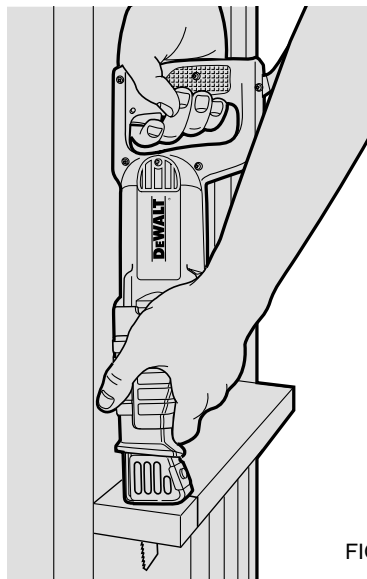


FIG. 4A

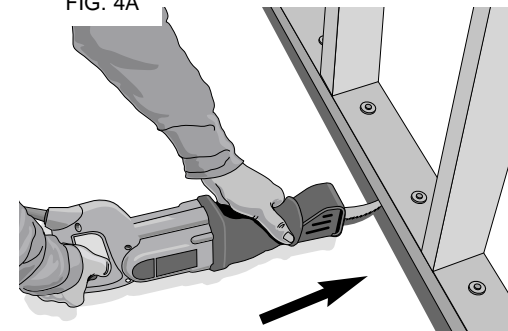


FIG. 6

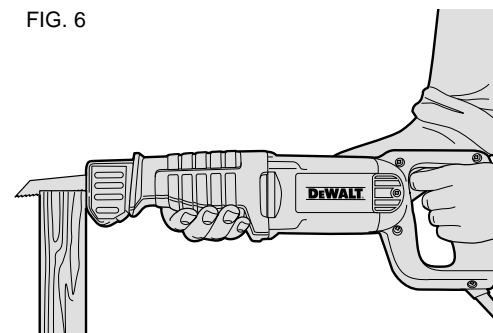


FIG. 7

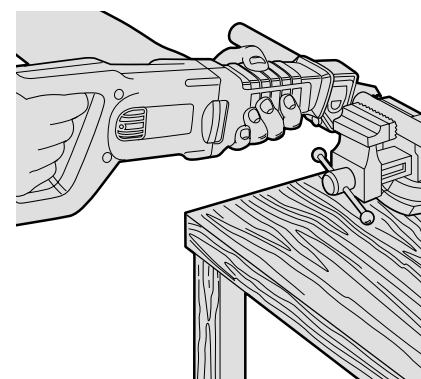
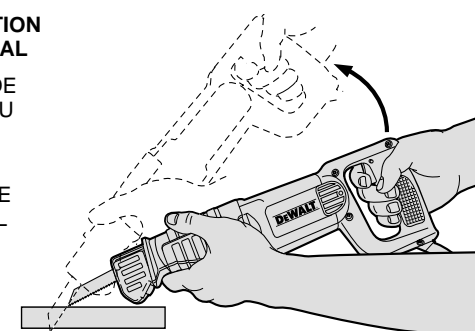


FIG. 8

ROCK TOOL UP TO NORMAL CUTTING POSITION AFTER BLADE HAS CUT THROUGH MATERIAL

BERCER L'OUTIL EN POSITION NORMALE DE COUPE APRÈS AVOIR TRAVERSÉ MATÉRIAU AVEC LA LAME

BALANCEE LA HERRAMIENTA HASTA LA POSICION DE CORTE NORMAL DESPUES DE HACER EL CORTE A TRAVES DEL MATERIAL



STARTING POSITION FOR POCKET CUTTING
POSITION DE DÉPART POUR LES COUPES EN RETRAIT

POSICION DE INICIO PARA EL CORTE DE BOLSILLO

des médicaments. De graves blessures peuvent résulter d'un moment d'inattention lors de l'utilisation d'un outil électrique.

- Porter des vêtements appropriés. Éviter de porter des vêtements amples ou des bijoux.** Recouvrir la chevelure si elle est longue. Éloigner les cheveux, les vêtements et les gants des pièces en mouvement qui peuvent les happer. Se tenir éloigné des événements puisque ces derniers pourraient camoufler des pièces mobiles.
- Éviter les démarrages accidentels.** S'assurer que l'interrupteur est en position hors tension avant de brancher l'outil. Afin d'éviter les risques de blessures, ne pas transporter l'outil avec le doigt sur l'interrupteur ni brancher un outil dont l'interrupteur est en position sous tension.
- Enlever les clés de réglage avant de mettre l'outil sous tension.** Une clé qui est laissée sur une pièce rotative de l'outil présente des risques de blessures.
- Ne pas dépasser sa portée.** Garder son équilibre en tout temps. On s'assure d'une meilleure maîtrise de l'outil dans des situations imprévues grâce à une position stable et un bon équilibre.
- Porter de l'équipement de sécurité.** Toujours porter des lunettes de sécurité. Dans certaines conditions, il faut porter des masques respiratoires, des chaussures antidérapantes, un casque de sécurité ou des protège-tympans.

UTILISATION ET ENTRETIEN DE L'OUTIL

- Utiliser des pinces de serrage ou de tout autre moyen pratique afin de fixer et de soutenir la pièce à ouvrir sur une plate-forme stable.** La pièce est instable lorsqu'elle est retenue par la main ou le corps de l'utilisateur. Cela présente des risques de perte de maîtrise de l'outil.
- Ne pas forcer l'outil. Utiliser l'outil approprié à la tâche.** L'outil approprié fonctionne mieux et sûrement lorsqu'on s'en sert à son rendement nominal.
- Ne pas se servir de l'outil lorsque l'interrupteur est défectueux.** Le cas échéant, l'outil est dangereux et il faut le réparer.
- Débrancher l'outil de la source d'alimentation avant de le régler, d'en remplacer les accessoires ou de le ranger.** On minimise de la sorte le risque de démarrage accidentel de l'outil.
- Ranger l'outil hors de portée des enfants et de toute autre personne qui n'en connaît pas le fonctionnement.** L'outil est dangereux entre les mains de ces personnes.
- Prendre soin des outils.** S'assurer que les outils de coupe sont tranchants et propres. Des outils bien entretenus à arêtes tranchantes ont moins tendance à se coincer et ils se maîtrisent mieux.
- Vérifier l'alignement et les attaches des pièces mobiles, le degré d'usure des pièces ainsi que tout autre facteur susceptible de nuire au bon fonctionnement de l'outil.** Faire réparer un outil endommagé avant de s'en servir. Des outils mal entretenus sont la cause de nombreux accidents.
- Utiliser seulement les accessoires recommandés par le fabricant.** Des accessoires qui conviennent à un outil peuvent présenter des risques avec un autre outil.

ENTRETIEN

- Confier l'entretien de l'outil seulement à du personnel qualifié.** Le non-respect de la présente directive présente des risques de blessures.
- Lors de l'entretien de l'outil, utiliser seulement des pièces de rechange identiques.** Respecter les consignes relatives à l'entretien du présent guide d'utilisation. Il y a risque de secousses électriques ou de blessures lorsqu'on utilise des pièces non autorisées ou lorsqu'on ne respecte pas les consignes relatives à l'entretien.

Mesures de sécurité additionnelles et spécifiques à l'outil

- Saisir les surfaces isolées de l'outil lorsqu'on s'en sert là où il pourrait y avoir des fils sous tension et lorsqu'il pourrait entrer en contact avec son propre fil.** En cas de contact avec un fil sous tension, les composants métalliques à découvert de l'outil deviendraient sous tension et l'utilisateur subirait des secousses électriques.
- Ne pas utiliser cet outil pendant des périodes prolongées.** Les vibrations causées par l'action de fonctionnement de l'outil peuvent blesser en permanence les doigts, les mains et les bras. Porter des gants pour amortir les vibrations, faire des pauses fréquentes et limiter le temps d'utilisation quotidien de l'outil.

▲ AVERTISSEMENT! Porter des lunettes de sécurité ou autre dispositif de protection oculaire car le martelage peut faire projeter des particules et entraîner des dommages irréversibles aux yeux.

▲ AVERTISSEMENT : Certains outils, tels que les sableuses électriques, les scies, les meules, les perceuses ou certains autres outils de construction, peuvent soulever de la poussière contenant des produits chimiques susceptibles d'entraîner le cancer, des malformations congénitales ou pouvant être nocifs pour le système reproductif. Parmi ces produits chimiques, on retrouve :

- le plomb dans les peintures à base de plomb;
- la silice cristalline dans les briques et le ciment et autres produits de maçonnerie;
- l'arsenic et le chrome dans le bois de sciage ayant subi un traitement chimique (CCA).

Le risque associé à de telles expositions peut varier selon la fréquence avec laquelle on effectue ces travaux. Pour réduire l'exposition à de tels produits, il faut travailler dans un endroit bien ventilé et utiliser l'équipement de sécurité approprié tel un masque anti-poussières spécialement conçu pour filtrer les particules microscopiques.

- Éviter tout contact prolongé avec la poussière soulevée par cet outil ou autres outils électriques. Porter des vêtements de protection et nettoyer les parties exposées du corps avec de l'eau savonneuse.** S'assurer de bien se protéger afin d'éviter d'absorber par la bouche, les yeux ou la peau des produits chimiques nocifs.

▲ AVERTISSEMENT : Cet outil peut produire et répandre de la poussière susceptible de causer des dommages sérieux et permanents au système respiratoire. Toujours utiliser un appareil respiratoire anti-poussières approuvé par le NIOSH ou l'OSHA. Diriger les particules dans le sens opposé du visage et du corps.

- L'étiquette de l'outil peut comporter les symboles suivants.

V.....volts	Aampères
Hz.....hertz	W.....watts
.../min ..minutes	~courant alternatif
====courant continu	n ₀sous vide
▣construction de classe II	/.....mintours ou courses à la minute
⚡borne de mise à la terre	▲symbole d'avertissement

Interrupteur à détente (Fig. 1)

Le régulateur de vitesse (A) offre une grande souplesse d'utilisation. Plus on enfonce l'interrupteur à détente, plus la vitesse de la scie augmente. Pour l'arrêter, il suffit de relâcher l'interrupteur.

▲ MISE EN GARDE : Il est recommandé de se servir de la basse vitesse seulement pour commencer une coupe. La scie peut être endommagée par une utilisation prolongée à très basse vitesse.

Levier de Degagement du Serre-Lame (DW303M ET DW304P, FIG. 3)

▲ MISE EN GARDE : METTRE LA SCIE HORS TENSION ET LA DEBRANCHER.

Faire ce qui suit pour installer une lame :

- Soulever le levier de dégagement du serre-lame (H).
- Insérer l'arbre de la lame à l'avant de l'outil.
- Abaisser le levier de dégagement du serre-lame.

Faire ce qui suit pour retirer la lame :

- Soulever le levier de dégagement du serre-lame.
- Retirer la lame.

▲ MISE EN GARDE : LE PROTEGE-LAME EST INSTALLE PAR MESURE DE SECURITE. NE PAS L'ENLEVER.

Coupe avec la Lame en Position Horizontale (DW304P Seulement, FIG. 4A)

Le fait d'installer la lame horizontalement permet de couper à raz du sol, d'un mur ou d'un plafond, là ou la liberté de manoeuvre est limitée. S'assurer de bien presser le protège-lame contre la structure pour éviter les rebonds.

Always follow manufacturer instructions

Serrage de la lame (Fig. 3)

▲ MISE EN GARDE : METTRE LA SCIE HORS TENSION ET LA DÉBRANCHER.

Faire ce qui suit pour installer la lame.

- Desserrer la vis de blocage.
- Insérer la queue de la lame à l'avant de l'outil entre l'arbre à mouvement alternatif et le serre-lame.

Placer le trou de la lame au-dessus de la tige de l'arbre à mouvement alternatif.
- Serrer la vis de blocage. Dans l'éventualité où la lame se briserait et où la queue resterait coincée dans le serre-lame, s'assurer que la vis de blocage est desserrée et dégager la queue de la lame à l'aide d'un clou ou d'un objet pointu.

▲ MISE EN GARDE : LE PROTÈGE-LAME EST INSTALLÉ PAR MESURE DE SÉCURITÉ. NE PAS L'ENLEVER.

Coupe à ras (Fig. 5)

La conception compacte du carter du moteur et de celui de l'arbre de la scie alternative permet de couper au ras des planchers, des coins et d'autres endroits d'accès difficile.

▲ MISE EN GARDE : Lorsqu'on coupe dans les murs, les planchers ou tout autre endroit où peuvent se trouver des fils sous tension, **NE PAS TOUCHER À TOUT COMPOSANT MÉTALLIQUE DE L'OUTIL. Ne le saisir que par la poignée et le boîtier en plastique ou en caoutchouc afin de se protéger des secousses électriques en cas de contact avec un fil sous tension.**

▲ MISE EN GARDE : Toujours porter des lunettes de sécurité lorsqu'on utilise un outil électrique.

Coupe du bois (Fig. 6)

Avant de couper une pièce de bois quelconque, s'assurer qu'elle est solidement assujettie ou immobilisée afin d'empêcher qu'elle ne glisse. Consulter le tableau de sélection des lames du présent guide afin de choisir la longueur et le type appropriés de lame dans le but d'optimiser les résultats. Appuyer légèrement la lame contre la pièce à couper, mettre le moteur de la scie en marche et attendre qu'il ait atteint sa vitesse maximale avant d'exercer de la pression. Toujours saisir la scie fermement des deux mains pendant le travail. Dans la mesure du possible, appuyer fermement le patin de la scie contre la pièce pendant la coupe. Cette mesure empêche la scie de sauter ou de vibrer, et réduit les risques de bris de la lame.

Coupe des métaux (Fig. 7)

Le rendement de cette scie dépend du type de lame utilisé et du métal à couper. Se servir d'une lame à dents fines pour couper les métaux ferreux, et d'une lame à dents grossières pour couper les métaux non ferreux. Lorsqu'on coupe une feuille de tôle mince, il est préférable d'immobiliser la feuille de métal entre deux pièces de bois. On élimine ainsi les vibrations et les risques de déchirement de la tôle. Il ne faut jamais forcer l'outil en le poussant trop énergiquement car on réduirait la durée de la lame tout en risquant d'endommager la scie.

NOTE : Il est généralement conseillé, pour la coupe des métaux, d'enduire la ligne de coupe d'une mince pellicule d'huile ou d'une substance semblable afin de faciliter la manoeuvre de l'outil et de prolonger la durée de la lame.

Coupe en retrait (Fig. 8) (Bois seulement)

La première étape de la coupe en retrait consiste à mesurer la superficie de la pièce à couper et à la marquer à l'aide d'un trait de crayon ou de craie, ou d'un traçoir. Insérer ensuite la lame de coupe en retrait dans le serre-lame et bien la serrer. Incliner alors la scie vers l'arrière jusqu'à ce que le rebord postérieur du patin repose contre la surface de travail. Mettre le moteur en marche et attendre que la lame ait atteint la vitesse maximale de coupe. Saisir fermement la poignée et redresser lentement la poignée de la scie. La scie commence alors à s'avancer dans la pièce à couper. Toujours s'assurer que la scie perce le matériau avant de poursuivre la coupe.

NOTE : Dans les endroits où il est difficile de voir la lame pendant la coupe, utiliser le rebord du patin de la scie comme guide. On conseille de prolonger les lignes tracées au crayon au-delà de la limite de la coupe à exécuter.

ENTRETIEN

Lubrification

L'outil a été lubrifié en usine. Il faut le retourner au bout de deux à six mois, selon l'utilisation qui en a été faite, à un centre de service ou à un atelier d'entretien autorisé afin d'en effectuer une inspection, une lubrification et un nettoyage complets. Les outils constamment utilisés doivent être lubrifiés plus souvent. De plus, les outils rangés pendant de longues périodes doivent être relubrifiés avant de s'en servir de nouveau.

Accessoires

Les accessoires recommandés pour l'outil sont vendus séparément au centre de service de la région.

▲ MISE EN GARDE : L'utilisation de tout accessoire non recommandé peut être dangereuse. La liste complète des centres de service se trouve dans l'emballage.

Pour trouver un accessoire, écrire à l'adresse suivante : DEWALT Industrial Tool Co., 701 East Joppa Road, Baltimore, MD 21286 É.-U., ou composer le 1 (800) 4 DEWALT (433-9258).

Réparation

Pour assurer la SÉCURITÉ et la FIABILITÉ de cet outil, toutes les opérations de réparation, d'entretien et de réglage doivent être effectuées par un centre de service autorisé ou qualifié (cela comprend l'inspection et le remplacement du balai); seules des pièces de rechange identiques doivent être utilisées.

Garantie Limitée de Trois Ans

DEWALT réparera, sans frais, tout produit défectueux causé par un défaut de matériel ou de fabrication pour une période de trois ans à compter de la date d'achat. Pour obtenir de plus amples renseignements sur les réparations couvertes par la présente garantie, composer le 1 800 433-9258 (1-800-4-DEWALT). Cette garantie ne s'applique pas aux accessoires et ne vise pas les dommages causés par des réparations effectuées par un tiers. Cette garantie confère des droits légaux particuliers à l'acheteur, mais celui-ci pourrait aussi bénéficier d'autres droits variant d'un état ou d'une province à l'autre.

En plus de la présente garantie, les outils DEWALT sont couverts par notre :

CONTRAT D'ENTRETIEN GRATUIT D'UN AN

DEWALT entretiendra l'outil et remplacera les pièces usées au cours d'une utilisation normale et ce, gratuitement, pendant une période d'un an à compter de la date d'achat, et la

GARANTIE DE REMBOURSEMENT DE 90 JOURS

Si l'acheteur n'est pas entièrement satisfait, pour quelque raison que ce soit, du rendement de l'outil électrique, du laser ou de la cloueuse DEWALT, celui-ci peut le retourner, accompagné d'un reçu, dans les 90 jours à compter de la date d'achat, pour obtenir un remboursement intégral, sans aucun problème.

REPLACEMENT GRATUIT DE L'ÉTIQUETTE : Si vos étiquettes d'avertissement deviennent illisibles ou sont manquantes, composez le 1-800-4-DEWALT pour obtenir une étiquette de remplacement gratuite.

Reglas generales de seguridad

¡ADVERTENCIA! Lea y comprenda todas las instrucciones. No hacerlo puede originar riesgos de choque eléctrico, incendio y lesiones personales de gravedad.

CONSERVE ESTAS INSTRUCCIONES

ÁREA DE TRABAJO

- **Conserve su área de trabajo limpia y bien iluminada.** Las bancas amontonadas y las zonas oscuras propician los accidentes.
- **No opere herramientas eléctricas en atmósferas explosivas, como en presencia de líquidos, gases o polvos inflamables.** Las herramientas eléctricas producen chispas que pueden originar la ignición de los polvos o los vapores.
- **Conserve a observadores, niños y visitantes alejados mientras opera una herramienta eléctrica.** Las distracciones pueden ocasionar que pierda el control.

SEGURIDAD ELÉCTRICA

- **Las herramientas con tierra deben conectarse a una toma de corriente instalada y aterrizada correctamente de conformidad con todos los códigos y regulaciones locales. Nunca elimine la pata de conexión a tierra ni modifique la clavija en ninguna manera. No utilice clavijas adaptadoras. Consulte con un electricista calificado si tiene dudas acerca de la conexión correcta a tierra de su toma de corriente.** En el caso que su herramienta tenga una falla eléctrica, el aterrizaje proporciona una vía de baja resistencia para llevar la electricidad lejos del operador. **Aplicable únicamente a herramientas Clase I (aterizadas).**
- **Las herramientas con doble aislamiento están equipadas con una clavija polarizada (con una pata más ancha que la otra.) Esta clavija se acoplará únicamente en una toma de corriente polarizada de una manera. Si la clavija no se acopla al contacto, invírtala. Si aún así no se ajusta, comuníquese con un electricista calificado para que le instalen una toma de corriente polarizada apropiada.** El doble aislamiento elimina la necesidad de cables con tres hilos y sistemas de alimentación con conexión a tierra. **Aplicable a herramientas Clase II (con doble aislamiento).**
- **Evite el contacto corporal con superficies aterrizadas tales como tuberías, radiadores, hornos y refrigeradores.** Hay un gran riesgo de choque eléctrico si su cuerpo hace tierra.
- **No exponga las herramientas eléctricas a la lluvia o a condiciones de mucha humedad.** El agua que se introduce en las herramientas aumenta el riesgo de descargas eléctricas.
- **No maltrate el cable. Nunca tome el cable para transportar una herramienta ni para desconectarla de la toma de corriente. Consérvelo alejado de calor aceite, bordes afilados o piezas móviles. Cambie inmediatamente los cables dañados.** Los cables dañados aumentan el riesgo de choque eléctrico.
- **Cuando opere una herramienta eléctrica a la intemperie, utilice una extensión marca "W-A" o "W".** Estas extensiones están clasificadas para uso a la intemperie y para reducir el riesgo de choques eléctricos.

Calibre mínimo requerido (AWG) para cables de extensión

Longitud total del cable de extensión

25 ft.	50 ft.	75 ft.	100 ft.	125 ft.	150 ft.	175 ft.
7,6 m	15,2 m	22,9 m	30,5 m	38,1 m	45,7 m	53,3 m

Calibre promedio del alambre

18 AWG	18 AWG	16 AWG	16 AWG	14 AWG	14 AWG	12 AWG
--------	--------	--------	--------	--------	--------	--------

SEGURIDAD PERSONAL

- **Esté alerta concéntrese en lo que está haciendo. Recorra al sentido común cuando opere una herramienta eléctrica. No opere ninguna herramienta si se encuentra fatigado o bajo la influencia de drogas, alcohol o medicamentos.** Un momento de desatención mientras se operan herramientas eléctricas puede ocasionar lesiones graves.
- **Vístase de manera adecuada. No tenga puestas ropas o artículos de joyería flojos. Cubra su cabello si lo tiene largo. Conserve su cabello, sus ropas y guantes alejados de las piezas móviles.** Las piezas de vestir flojas, las joyas y el cabello largo pueden resultar atrapados por las piezas móviles. Las rejillas de ventilación cubren partes móviles y también deben evitarse.
- **Evite el encendido accidental. Asegúrese que el interruptor esté en posición de apagado antes de conectar.** Sostener una herramienta con el dedo en el interruptor o conectarla sin fijarse si el interruptor está en posición de encendido propicia los accidentes.
- **Retire las llaves de ajuste antes de encender la herramienta.** Una llave que se deja en una pieza giratoria puede ocasionar lesiones personales.
- **No se sobreexienda. Conserve siempre los pies bien apoyados, al igual que el equilibrio.** La posición correcta de los pies y el equilibrio permiten controlar mejor la herramienta en situaciones inesperadas.
- **Utilice equipo de seguridad. Siempre utilice protección en los ojos.** Se deben utilizar mascarillas contra polvo, zapatos antiderrapantes, casco o protectores para los oídos para tener las condiciones apropiadas.

USO Y CUIDADOS DE LA HERRAMIENTA

- **Utilice prensas u otros medios prácticos para asegurar y apoyar la pieza de trabajo en una plataforma estable.** Sujetar las piezas con la mano o contra su cuerpo es inestable y puede originar la pérdida de control.
- **No fuerce la herramienta. utilice la herramienta apropiada para su aplicación.** La herramienta apropiada hará el trabajo mejor y de manera más segura bajo las especificaciones para las que se diseñó.
- **No utilice la herramienta si el interruptor no enciende y apaga.** Cualquier herramienta que no pueda controlarse por medio del interruptores peligrosa y debe reemplazarse.
- **Desconecte la clavija de la toma de corriente antes de hacer cualquier ajuste, cambio de accesorios o de guardar la herramienta.** Tales medidas de seguridad preventivas reducirán el riesgo de que la herramienta se encienda accidentalmente.
- **Guarde las herramientas fuera del alcance de los niños y de otras personas no capacitadas.** Las herramientas son peligrosas en manos de personas no capacitadas.
- **Cuide sus herramientas.** Conserve las herramientas de corte afiladas y limpias. Las herramientas que reciben un mantenimiento adecuado, con piezas de corte afiladas, difícilmente se atascan y son más fáciles de controlar.
- **Verifique la alineación de las piezas móviles, busque fracturas en las piezas y cualesquiera otras condiciones que puedan afectar la operación de las herramientas. Si está dañada, lleve su herramienta a servicio antes de usarla de nuevo.** Muchos accidentes se deben a herramientas con mantenimiento pobre.
- **Solamente use accesorios que el fabricante recomiende para su modelo de herramienta.** Los accesorios que estén diseñados para una herramienta, pueden volverse peligrosos cuando se emplean con otra.

SERVICIO

- **El servicio a las herramientas lo debe efectuar únicamente personal calificado.** El servicio o mantenimiento realizado por personal no calificado puede originar riesgos de lesiones.
- **Cuando efectúe servicio a una herramienta, utilice únicamente refacciones idénticas. Siga las instrucciones de la sección de Mantenimiento de este manual.** El empleo de piezas no autorizadas o no seguir las instrucciones de mantenimiento puede originar riegos de choque eléctrico o lesiones.

Reglas de seguridad adicionales

- **Tome la herramienta por las superficies aislantes de sujeción cuando realice una operación en que la herramienta de corte pueda hacer contacto con cables ocultos o con su propia extensión.** El contacto con un cable "vivo" hará que las partes metálicas de la herramienta queden "vivas" y descarguen hacia el operador.
- **No opere esta herramienta durante períodos largos de tiempo.** La vibración causada por la acción de operación de la herramienta puede causar lesiones permanentes a sus dedos, manos y brazos. Use guantes para un mejor amortiguamiento, descanse con frecuencia y limite el tiempo diario de uso.

▲ PRECAUCIÓN: Utilice la protección auditiva adecuada durante el uso de esta unidad. Bajo ciertas condiciones y duración de uso, el ruido producido por este producto puede contribuir a la pérdida auditiva.

▲ ADVERTENCIA: Parte del polvo creado al lijar, aserruchar, moler o perforar con máquina, así como al realizar otras actividades de la construcción, contiene substancias químicas que se sabe producen cáncer, defectos congénitos u otras afecciones reproductivas. Algunos ejemplos de esas substancias químicas son:

- plomo de pinturas a base de plomo,
- sílice cristalizado de ladrillos y cemento y otros productos de albañilería, y
- arsénico y cromo de la madera químicamente tratada (CCA).

El riesgo al contacto con estas substancias varía, según la frecuencia en que se haga este tipo de trabajo. Para reducir la exposición a esas substancias químicas: trabaje en un área bien ventilada, y trabaje con equipos de seguridad aprobados, tales como máscaras contra el polvo especialmente diseñadas para filtrar las partículas microscópicas.

- **Evite el contacto prolongado con polvos originados por lijar, aserrar, esmerilar, taladrar y otras actividades constructivas. Vista ropas protectoras y lave las áreas expuestas con agua y jabón.** Permitir que el polvo se introduzca en su boca, ojos, o dejarlo sobre la piel promueve la absorción de químicos dañinos.

▲ ADVERTENCIA: Toda persona que entre al área de trabajo deberá usar una máscara antipolvo o protección respiratoria. El filtro debería ser reemplazado a diario o cuando el usuario tenga dificultad para respirar. Puede encontrar la máscara antipolvo apropiada aprobada por NIOSH/OSHA en su ferretería local.

- La etiqueta de su herramienta puede incluir los siguientes símbolos.

V	voltios	A	amperios
Hz	hertz	W	vattios
min	minutos	~	corriente alterna
====	corriente directa	n ₀	velocidad sin carga
☐	construcción Clase II	.../min	revoluciones por minuto
⊖	terminales con conexión a tierra	▲	símbolo de alerta de seguridad

Interruptor (velocidad variable) (Fig. 1)

El interruptor de gatillo de velocidad variable (A) le ofrece versatilidad añadida. Cuanto más se oprima el gatillo, mayor será la velocidad de la sierra. Para apagar la herramienta suelte el gatillo.

▲ PRECAUCIÓN: El empleo de muy bajas velocidades sólo se recomienda al iniciar un corte. El uso prolongado de velocidades muy bajas puede dañar su herramienta.

Palanca de liberación de la segueta (Fig. 2)

▲ PRECAUCIÓN: APAGUE Y DESCONECTE LA SIERRA.

Para instalar la segueta en la sierra:

1. Suba la palanca de liberación de las seguetas (B) para abrirlo.
2. Inserte la espiga de la segueta desde el frente.
3. Baje la palanca para cerrarlo.

Para sacar la segueta de la sierra:

1. Suba la palanca de liberación de las seguetas para abrirlo.
2. Saque la segueta.

▲ PRECAUCIÓN: LA GUARDA DE LA SEGUETA ESTA ALLÍ PARA SU PROTECCIÓN. NO LAQuite.

Palanca de Liberación del Sujetador de Seguetas DW303M Y DW304P (FIG. 3)

▲ PRECAUCIÓN: APAGUE Y DESENCHUFE LA SIERRA.

Para instalar la segueta en la sierra:

1. Tire hacia arriba la palanca de liberación del sujetador de seguetas (H).
2. Inserte la espiga de la segueta desde el frente.
3. Empuje hacia abajo la palanca de liberación del sujetador de seguetas.

Para sacar la segueta de la sierra:

1. Abra la palanca de liberación del sujetador de seguetas.
2. Saque la segueta.

▲ PRECAUCIÓN: LA GUARDA DE LA SEGUETA ESTÁ AHÍ PARA SU PROTECCIÓN. NO LAQuite.

Corte con la Segueta en Posición Horizontal sólo en dw304p (fig. 4a)

La instalación de una segueta en posición horizontal permite cortar cerca de pisos, paredes o techos donde existe poco espacio libre. Asegúrese que la guarda de la segueta esté presionada contra el marco para evitar que rebote.

Cortes al hilo (Fig. 5)

El diseño compacto de la cubierta del motor de la sierra y de la cubierta del eje, permite hacer cortes extremadamente cercanos al piso, esquinas y otras áreas difíciles.

▲ PRECAUCIÓN: Cuando corte en paredes, pisos o dondequiera que se puedan encontrar cables eléctricos "vivos", **NO TOQUE NINGUNA PARTE METÁLICA FRONTAL DE LA HERRAMIENTA.** Sujete la sierra solamente del mango de plástico y de la cubierta para prevenir descargas eléctricas si corta un cable "vivo".

▲ PRECAUCIÓN: Utilice siempre protección en los ojos cuando opere esta herramienta eléctrica.

Corte de madera (Fig. 6)

Antes de cortar cualquier tipo de madera, asegúrese que la pieza que va a cortar esté sujeta y asentada con firmeza para evitar patinaduras. Coloque la segueta contra la pieza sobre la que se va a trabajar, encienda la herramienta y permita que alcance su máxima velocidad antes de aplicar presión. Siempre sujete firmemente la sierra con ambas manos mientras esté cortando. Siempre que sea posible, la zapata debe colocarse firmemente contra la pieza de trabajo. Esto evitará que la sierra salte o vibre y minimizará las fracturas de las seguetas.

Corte de metales (Fig. 7)

Esta unidad tiene diferentes capacidades de corte en metal dependiendo del tipo de segueta que se emplee y del metal a ser cortado. Recuerde siempre que debe emplear una segueta de dientes más finos para los metales ferrosos (los que tienen un gran contenido de hierro), y de recurrir a una de dientes más gruesos para cortar los materiales no ferrosos. Cuando se va a cortar una lámina delgada de metal, lo mejor es sujetarla sobre otra lámina de madera o madera contra choupada; esto garantizará un corte limpio sin el peligro de vibración o de que se desgare el metal. Recuerde siempre no forzar la herramienta de corte, pues esto reducirá la vida útil de la segueta y ocasiona costosas fracturas de las seguetas.

NOTA: Se recomienda que cuando corte metales unte una delgada película de aceite o algún otro refrigerante a lo largo de la línea de corte para una operación más sencilla y una mayor duración de las seguetas.

Corte de bolsillo (Fig. 8) (solamente madera)

El paso inicial para el corte de bolsillo es medir el área que se va a cortar y marcarla claramente con lápiz, gis o un marcador de tinta. Introduzca la segueta para cortes de bolsillo en el sujetador de seguetas y apriete firmemente. Enseguida, empuje la parte trasera de la herramienta hacia atrás hasta que la orilla trasera de la zapata descansa sobre la superficie de trabajo. Ahora, encienda el motor, permitiendo siempre que la segueta alcance su velocidad máxima. Sujete el mango firmemente e inicie un balanceo hacia arriba con el mango de la sierra. La segueta comenzará a introducirse en el material. Asegúrese siempre de que la segueta ha traspasado el material por completo antes de continuar con el corte de bolsillo.

NOTA: En áreas donde la visibilidad hacia la segueta es escasa, utilice la orilla de la zapata como guía. Las líneas para cualquier corte deben extenderse más allá de la zona donde se va a cortar.

MANTENIMIENTO

Lubricación

Su herramienta fue lubricada correctamente antes de dejar la fábrica. Se recomienda que envíe, al menos una vez al año, su unidad a un centro de servicio para que la sometan allí a limpieza profunda, inspección y lubricación. Las herramientas que se usan constantemente en trabajos de producción necesitarán lubricarse con mayor frecuencia. También las herramientas que han estado "fuera de servicio" por periodos largos deben lubricarse antes de regresarlas al trabajo.

Accesorios

Dispone usted de los accesorios enlistados para su herramienta con cargo adicional en el centro de servicio autorizado o con su distribuidor locales.

▲ PRECAUCIÓN: Es peligroso emplear cualquier accesorio no recomendado. Se incluye una lista completa de los centros de servicio con su herramienta.

Reparaciones

Para garantizar la SEGURIDAD y la CONFIABILIDAD, deberán hacerse reparaciones, mantenimiento y ajustes de esta herramienta en los centros autorizados de servicio DeWALT u otras organizaciones autorizadas. Estas organizaciones prestan servicio a las herramientas DeWALT y emplean siempre refacciones legítimas DeWALT.

PARA REPARACIÓN Y SERVICIO DE SUS HERRAMIENTAS ELÉCTRICAS DIRÍJASE AL CENTRO DE SERVICIO MÁS CERCANO

AGUASCALIENTES Av. de los Maestros 903 - Col. España	449-913-38-01
CAMPECHE Av. Gobernadores 345 - Col. Santa Ana	981-811-34-90
CHIAPAS 5 Norte Oriente 460 - Col. Centro	961-600-02-87
CHIHUAHUA Av. Universidad 2903 - Col. Universidad	614-413-64-04
DURANGO Av. 20 de Noviembre 2004 Ote - Col. Centro	618-818-80-77
GUANAJUATO 1 Mayo 482 - Col. Centro	462-626-79-22
GUADALAJARA Av. Vallarta 4901-a - Col. Prados Vallarta	333-673-28-15
MÉXICO 16 de Septiembre 509 - Col. Alce Blanco	55-358-40-07
OAXACA Av. Hidalgo 1303 - Col. Centro	951-514-46-12
SINALOA Blvd. Manuel J. Clouthier 3027 Col. Lomas del Blvd.	667-717-89-99
SAN LUIS POTOSÍ Av. Universidad 1525 - Col. San Luis	444-814-23-83
SONORA Nayarit 217 - Col. San Benito	662-210-25-50
TABASCO Periférico 2047 - Col. Periférico	993-350-38-72
TAMAULIPAS Tiburcio Garza Zamora 1185 - Col. Beatty	813-374-24-16
YUCATÁN Calle 63 No. 459 - Col. Centro	999-923-08-49
TAMPICO Av. Hidalgo 1801 - Col. Aurora	833-213-42-61

PARA OTRAS LOCALIDADES LLAME AL: 326 7100

Póliza de Garantía

IDENTIFICACIÓN DEL PRODUCTO:

Sello o firma del Distribuidor.

Nombre del producto: _____ Mod./Cat.: _____

Marca: _____ Núm. de serie: _____

(Datos para ser llenados por el distribuidor)

Fecha de compra y/o entrega del producto: _____

Nombre y domicilio del distribuidor donde se adquirió el producto:

Este producto está garantizado por un año a partir de la fecha de entrega, contra cualquier defecto en su funcionamiento, así como en materiales y mano de obra empleados para su fabricación. Nuestra garantía incluye la reparación o reposición del producto y/o componentes sin cargo alguno para el cliente, incluyendo mano de obra, así como los gastos de transportación razonablemente erogados derivados del cumplimiento de este certificado.

Para hacer efectiva esta garantía deberá presentar su herramienta y esta póliza sellada por el establecimiento comercial donde se adquirió el producto, de no contar con ésta, bastará la factura de compra.

EXCEPCIONES.

Esta garantía no será válida en los siguientes casos:

- Cuando el producto se hubiese utilizado en condiciones distintas a las normales;
- Cuando el producto no hubiese sido operado de acuerdo con el instructivo de uso que se acompaña;
- Cuando el producto hubiese sido alterado o reparado por personas distintas a las enlistadas al final de este certificado.

Anexo encontrará una relación de sucursales de servicio de fábrica, centros de servicio autorizados y franquiciados en la República Mexicana, donde podrá hacer efectiva su garantía y adquirir partes, refacciones y accesorios originales.

Garantía limitada por tres años

DeWALT reparará, sin cargo, cualquier falla que surja de defectos en el material o la fabricación del producto, por hasta tres años a contar de la fecha de compra. Para mayor información sobre reparaciones bajo garantía, llame al 1-800-4-DeWALT. Esta garantía no aplica a accesorios o a daños causados por reparaciones realizadas o intentadas por terceros. Esta garantía le otorga derechos específicos, además de lo cuales puede tener otros dependiendo del estado o provincia en que se encuentre.

Además de la garantía, las herramientas DeWALT están cubiertas por:

1 AÑO DE SERVICIO GRATUITO

DeWALT mantendrá la herramienta y reemplazará las piezas gastadas por su uso normal, sin cobro, en cualquier momento durante un año a contar de la fecha de compra.

GARANTÍA DE REEMBOLSO DE SU DINERO POR 90 DÍAS

Si no está completamente satisfecho con el desempeño de su máquina herramienta, láser o clavadora DeWALT, cualquiera sea el motivo, podrá devolverlo hasta 90 días de la fecha de compra con su recibo y obtener el reembolso completo de su dinero - sin necesidad de responder a ninguna pregunta.

SUSTITUCIÓN GRATUITA DE LAS ETIQUETAS DE ADVERTENCIA: Si las etiquetas de advertencia se vuelven ilegibles o se pierden, llame al 1-800-4-DeWALT para conseguir gratuitamente otras de repuesto.

Especificaciones

	DW303	DW303M	DW304P
Tensión de alimentación	120 V CA~	120 V CA~	120 V CA~
Potencia nominal:	725 W	1000 W	1150 W
Consumo de corriente:	6,5 A	9,0 A	10 A
Frecuencia de operación:	60 Hz	60 Hz	60 Hz

IMPORTADOR: DeWALT S.A. DE C.V.
BOSQUES DE CIDROS ACCESO RADIATAS NO. 42
COL. BOSQUES DE LAS LOMAS, 3A. SECCIÓN, CP 05120
DELEGACIÓN CUAJIMALPA, MÉXICO, D.F.
TEL. 5 326 7100
R.F.C.: BDE810626-1W7

Para servicio y ventas consulte
"HERRAMIENTAS ELÉCTRICAS"
en la sección amarilla.

